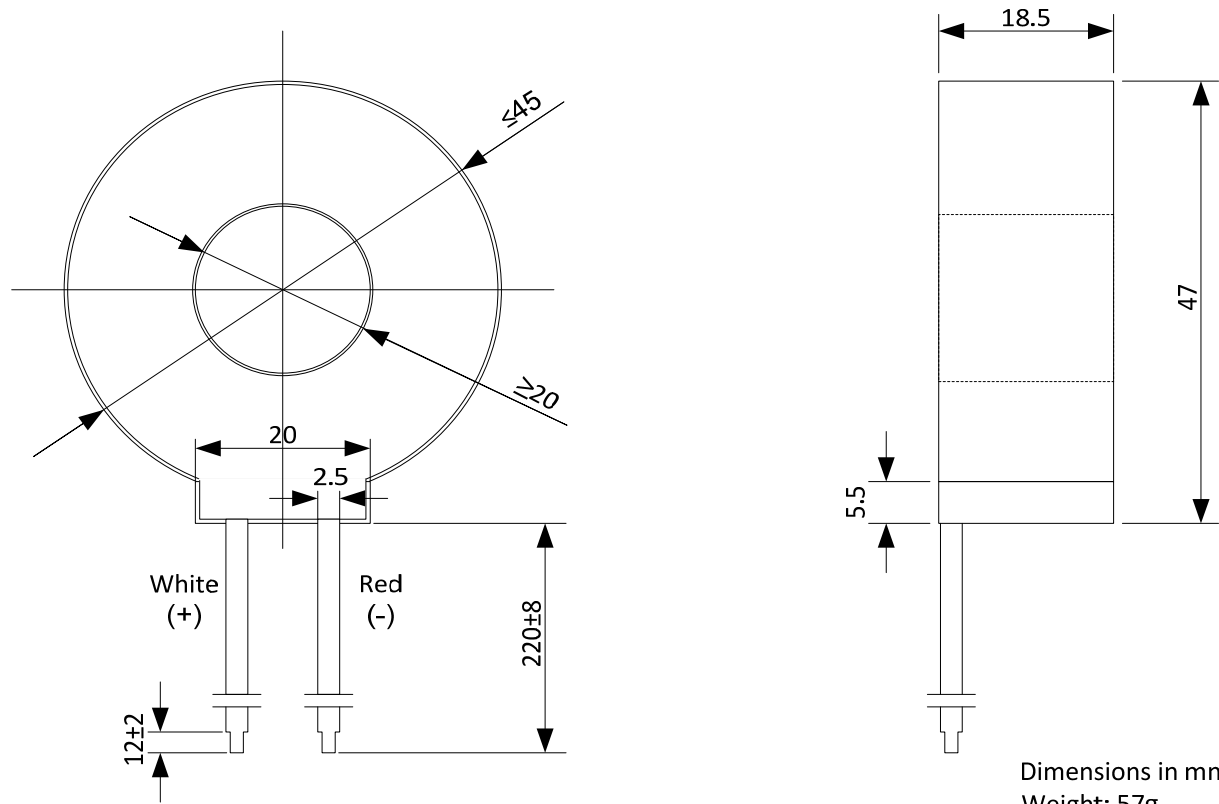




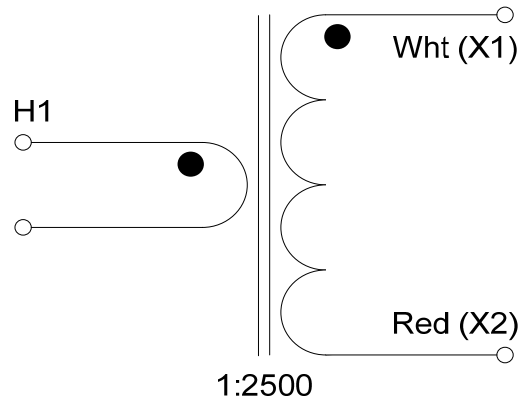
Current Transformer Specifications

Model No. CA6	Part No. 8M201	Drawing No.
Ratio: 200A/80mA	Voltage: 600V	CA601-131021



Technical Specifications

Accuracy/Burden	0.15/B0.005
Impulse Insulation (BIL)	10 kV
Lead Wire	18 AWG UL 1015
Insulation Resistance	50 MΩ
Enclosure Plastic	UL94V-0
Safety Approval (cUR)	E363503
Measurement Canada	AE-2002
Test Conditions	
Frequency	60 Hz
Temperature / Humidity	25° C / 80% ~ 90%



Error Limit	Current	Ratio Error	Phase Shift (min)
(20 ohm burden)	2%	$\leq \pm 0.1$	≤ 6
	20%	$\leq \pm 0.1$	≤ 6
	100%	$\leq \pm 0.1$	≤ 5
	I Max	$\leq \pm 0.1$	≤ 5

CanFlux Transformer Ltd.

94 Boudrie Road, RR#1 Frankford, Ontario, K0K 2C0

Tel: (647) 692-2807

Fax: (647) 692-3821

www.CanFlux.com